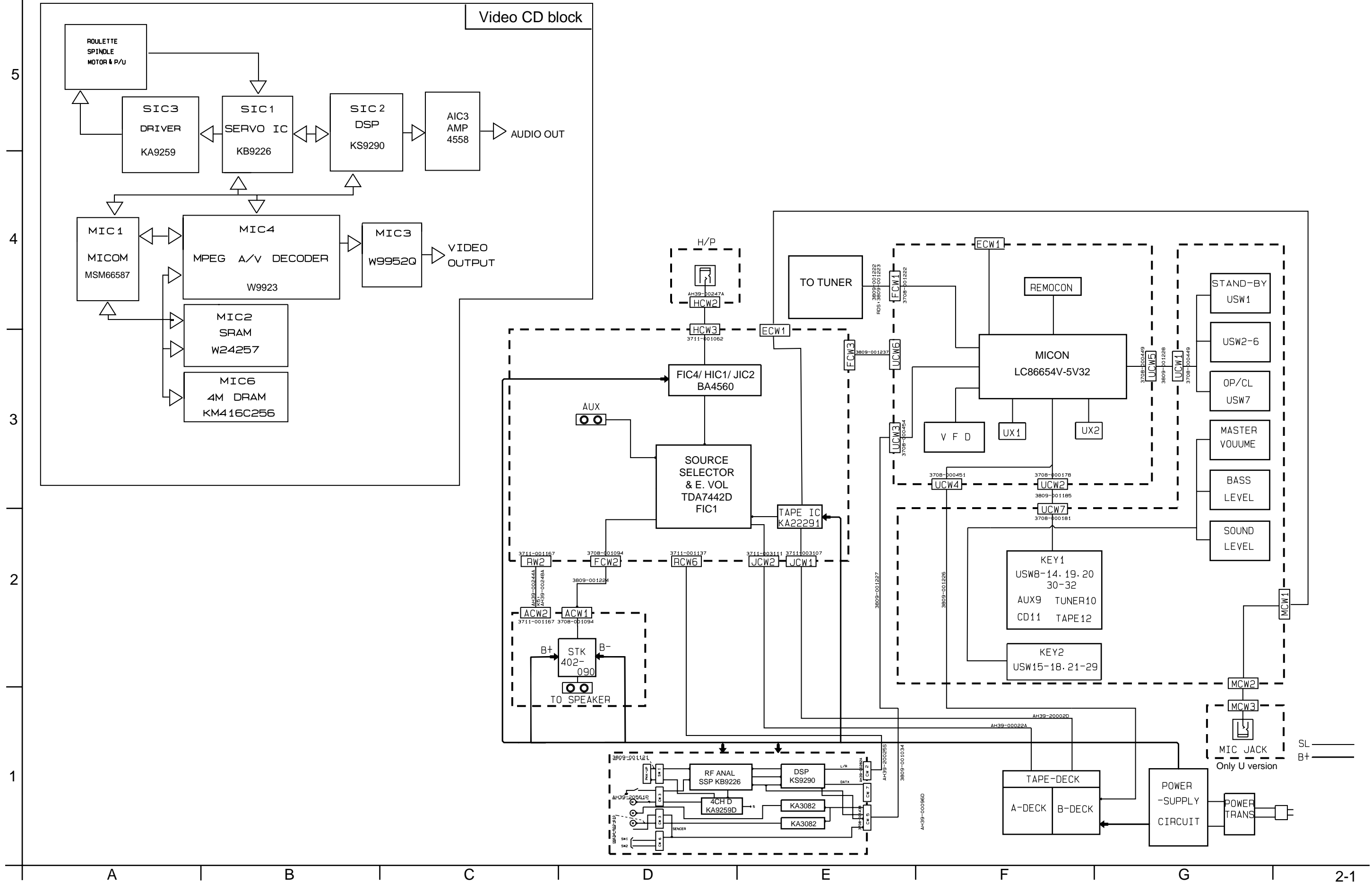
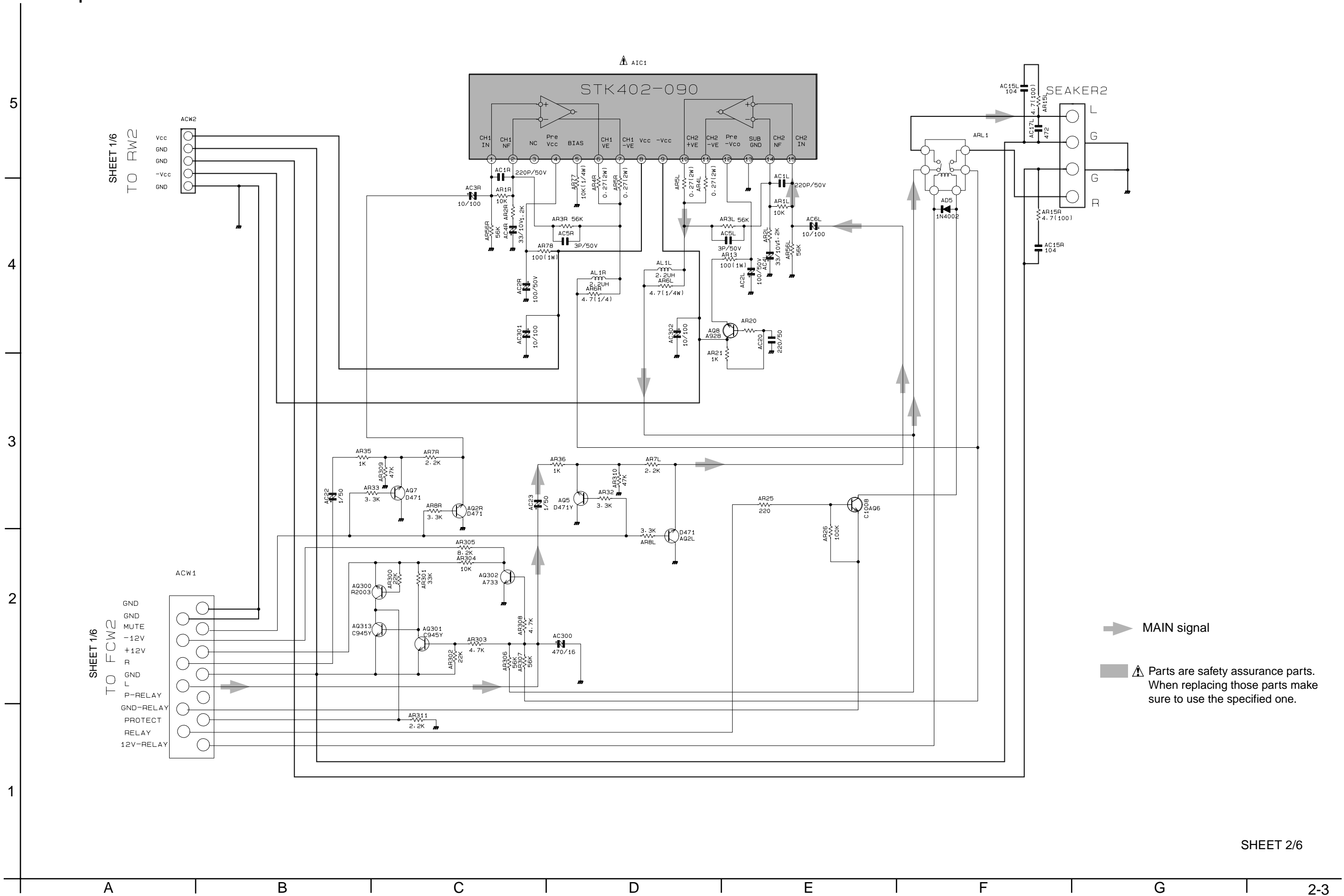


# Block diagram





Amplifier section



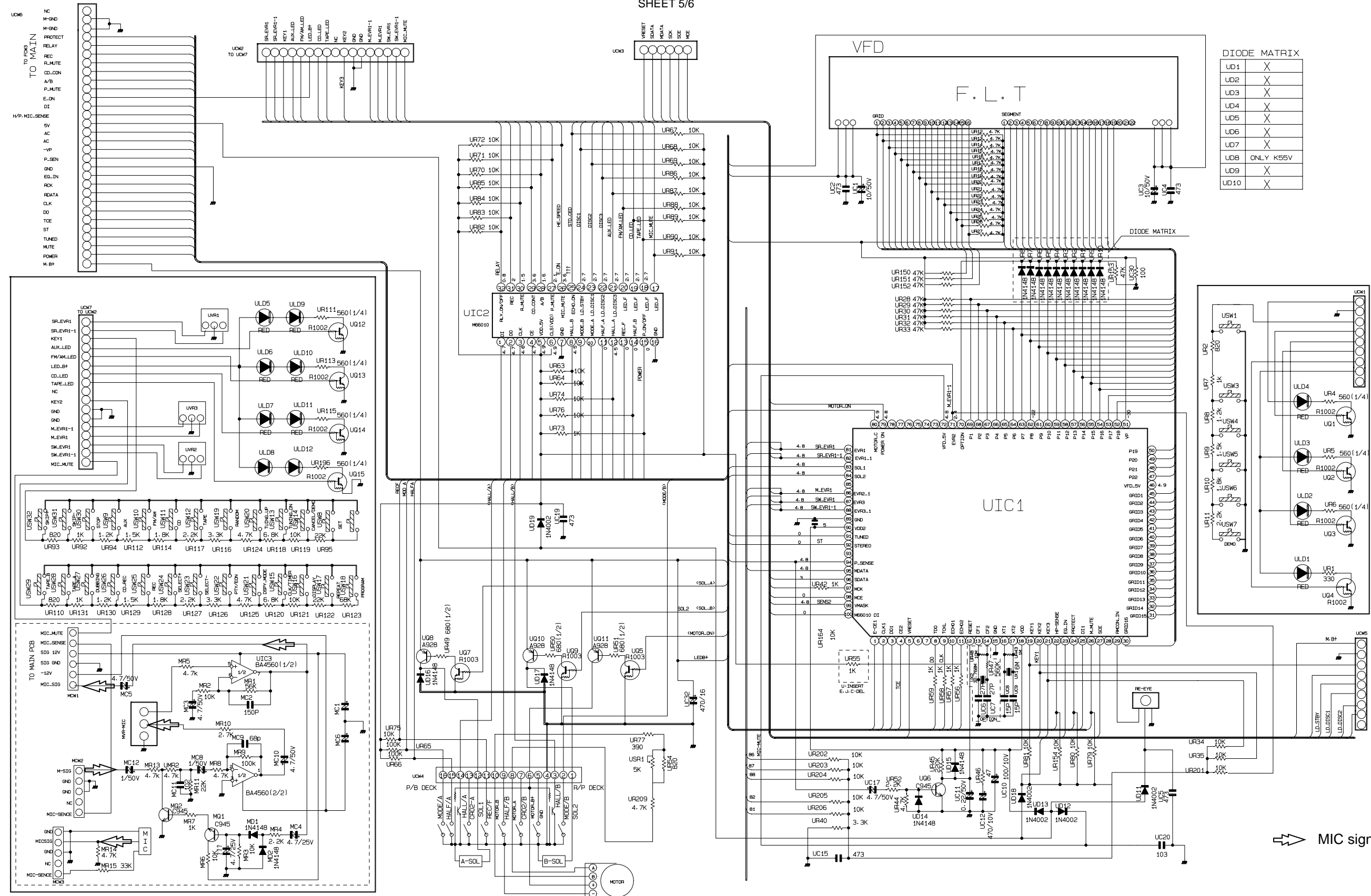
➔ MAIN signal

▲ Parts are safety assurance parts. When replacing those parts make sure to use the specified one.

Display & system control

SHEET 5/6

SHEET 1/6



DIODE MATRIX

UD1	X
UD2	X
UD3	X
UD4	X
UD5	X
UD6	X
UD7	X
UD8	ONLY K55V
UD9	X
UD10	X

MIC signal

SHEET 3/6

5

4

3

2

1

A

B

C

2-4

D

E

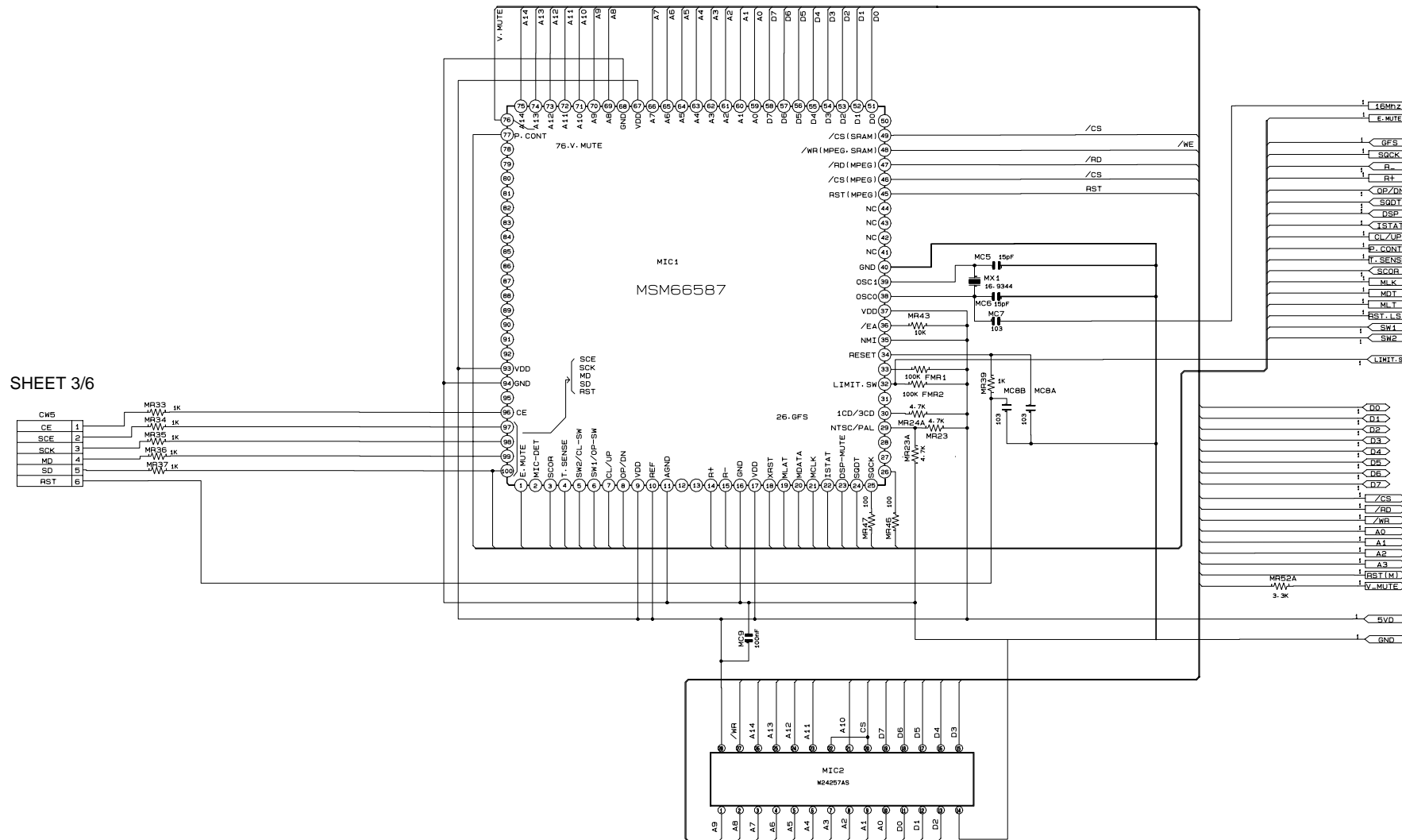
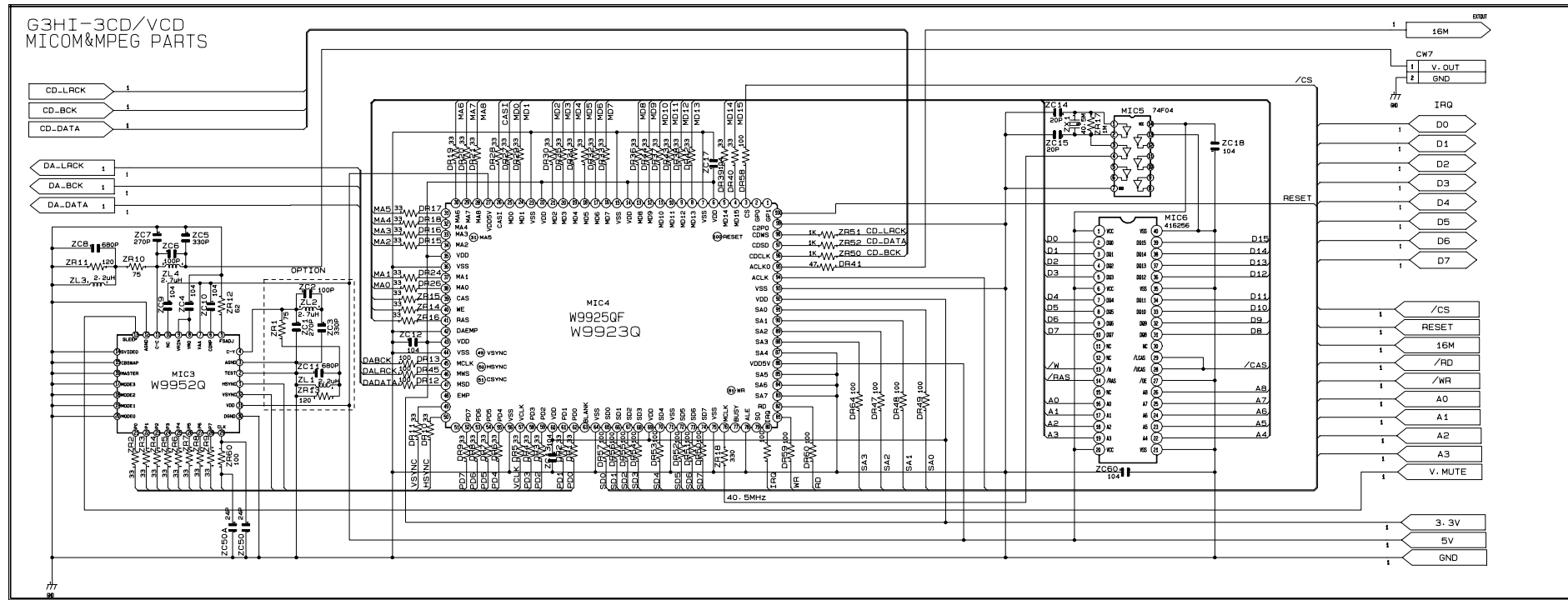
F

G

H



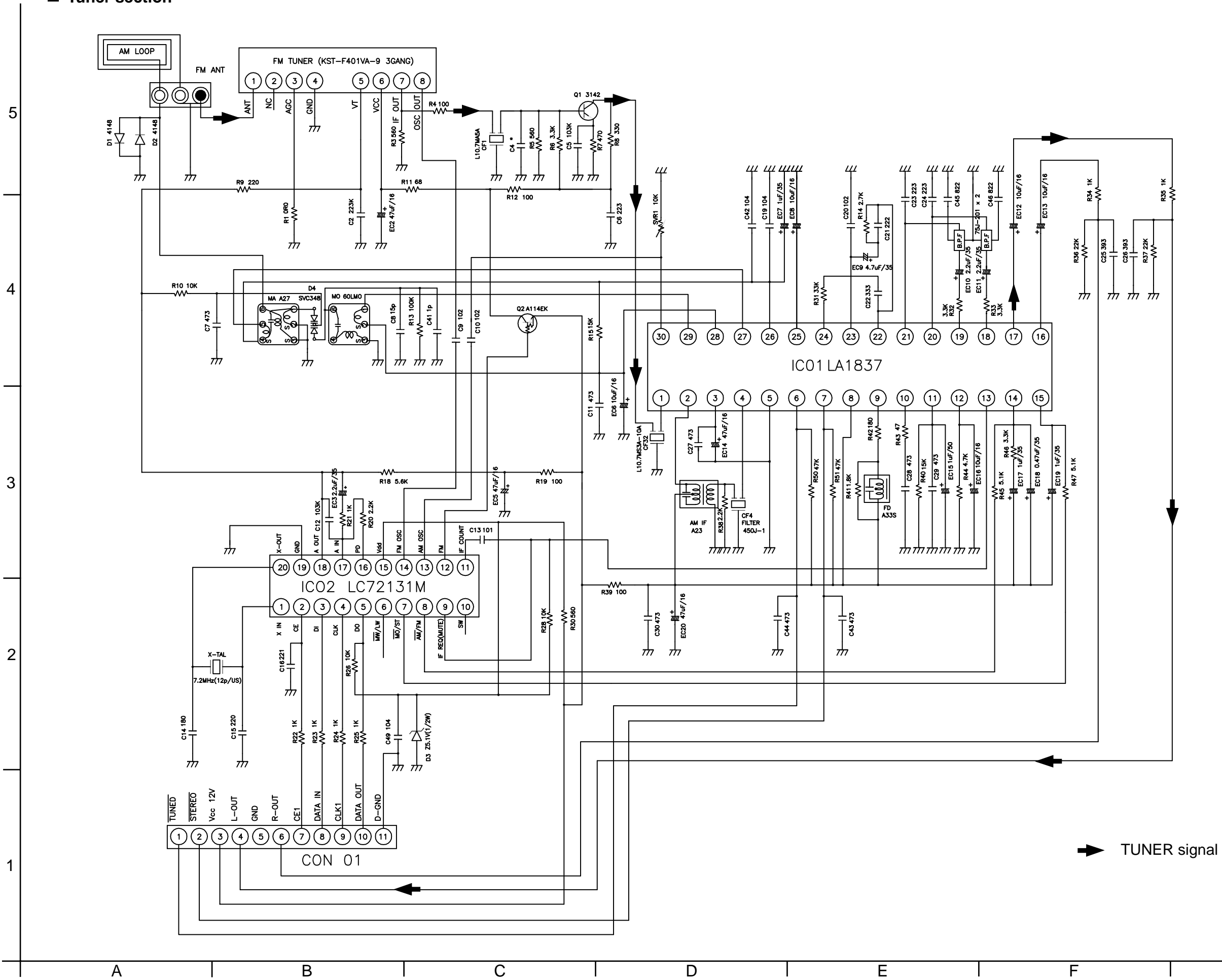
VCD MPEG & Micom section



SHEET 3/6

SHEET 5/6

■ Tuner section



➔ TUNER signal

# Printed circuit boards

## ■ Main board

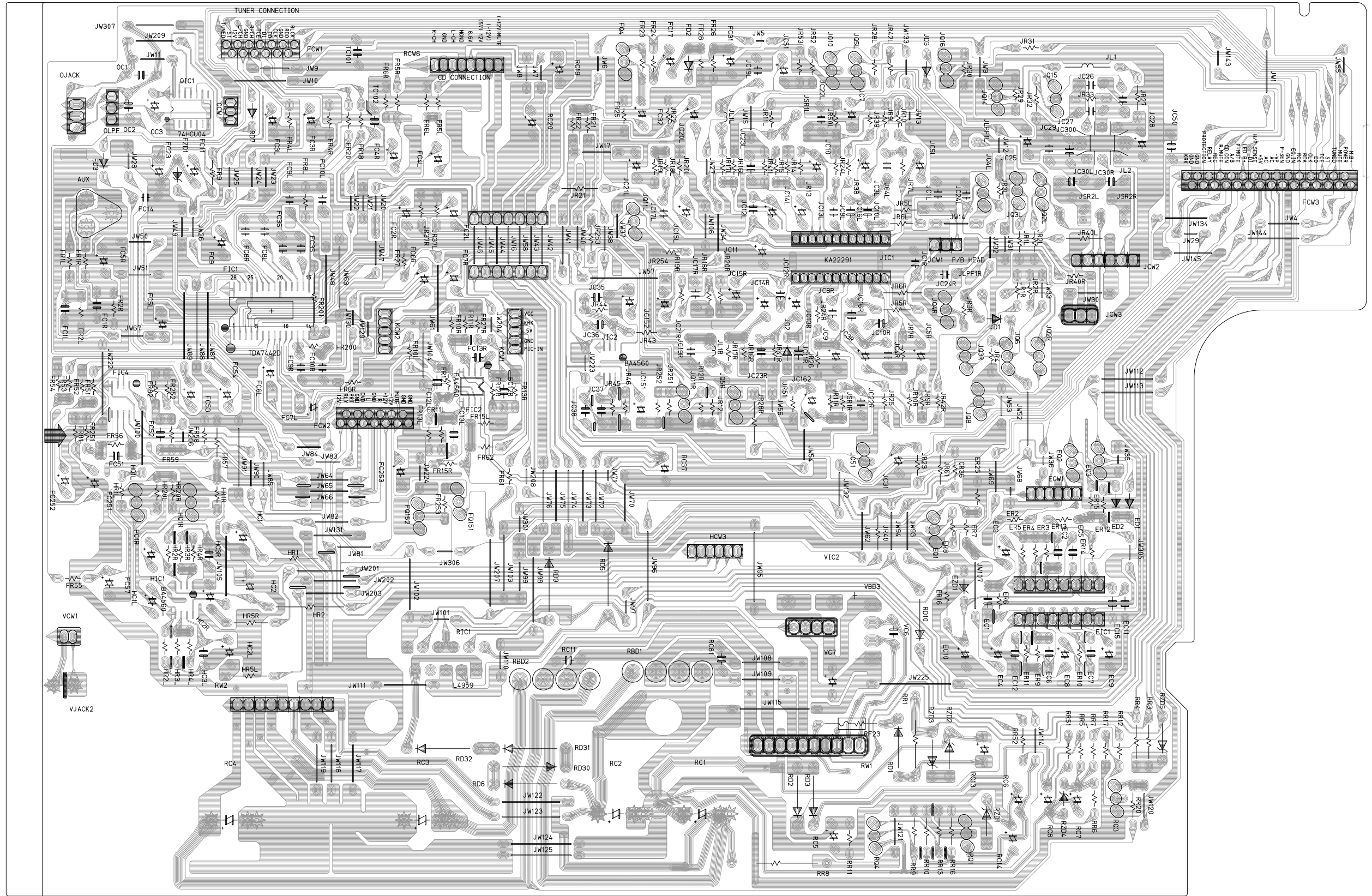
5

4

3

2

1



A | B | C | 2-8 | D | E | F | G | H







■ Vido CD board

